

Rotor Gemelli *Twin rotors barrel*

Le prestazioni raddoppiano

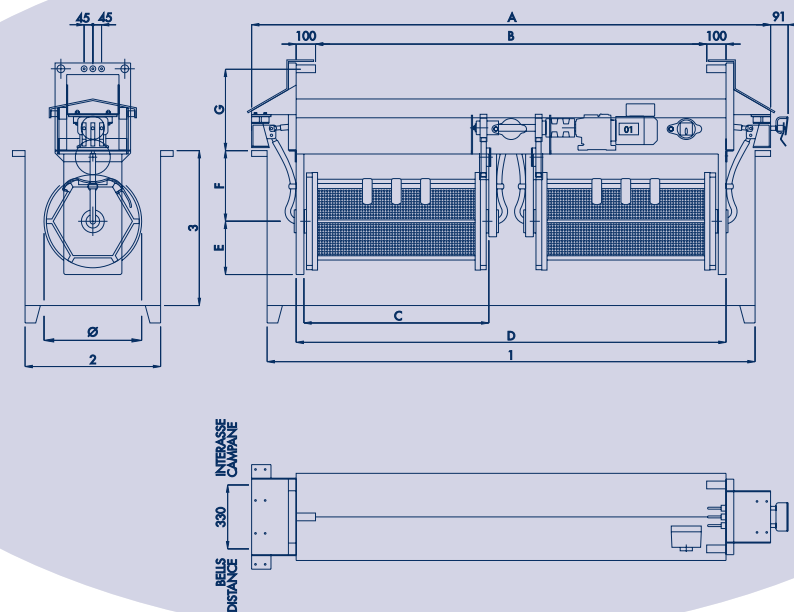
La risposta alle moderne esigenze di trattare grosse quantità di materiali in tempi sempre più brevi porta ad utilizzare i Rotor Gemelli. Mantenendo esagoni di dimensioni tradizionali si ottengono alti standard qualitativi pur raddoppiando la produzione. Possono essere utilizzati anche in linee galvaniche miste buratti e telai.

Double performance

The modern demand to plate products in big quantities in a shorter time is the key of development of the Twin Rotor Barrels. To work with 2 cylinders gives the possibility to keep very high quality standards with a double production. These barrels can also be used in plating lines that mix barrels and racks.

La Gamma *The Range*

Rotor Gemelli/Twin rotors barrel										Vasche/Tank size		
Modello Model		A	B	C	D	E	F	G	Ø	1	2	3
260	500	1840	1180	555	1380					1680		
	700	2240	1580	755	1780	221	309	420	340	2080	600	700
	1000	2540	1880	1055	2080					2380		
320	700	2280	1620	755	1820					2120	700	800
	1000	2880	2220	1055	2420	245	369.5	420	441	2720		
360	800	2480	1820	855	2020					2320		
	1000	2880	2220	1055	2420	275	365	420	504	2720	700	800
	1200	3280	2620	1255	2820					3120		
360-7	800	2480	1820	855	2020					2320		
	1000	2880	2220	1055	2420	310	365	420	543	2720	800	1000
	1200	3280	2620	1255	2820					3120		
420	1000	2880	2220	1055	2420					2720		
	1200	3280	2620	1255	2820	338	407	420	583	3120	800	1000
420-7	1000	2880	2220	1055	2420					2720		
	1200	3280	2620	1255	2820	348	437	420	650	3120	900	1000



Caratteristiche tecniche *Technical details*

Rotor Gemelli/Twin rotors barrel									
N codice	Modello	Spessore pareti mm	Volume	Portata Kg	Temper. max. °C	Batacchi mm ²	Potenza motori Kw	Campana	Peso Kg
<i>Code N.</i>	<i>Model</i>	<i>Wall panel thickness mm</i>	<i>dm³</i>	<i>Load capacity Kg</i>	<i>Max. temper. °C</i>	<i>Danglers mm²</i>	<i>Motor power Kw</i>	<i>Bell 2000</i>	<i>Weight Kg</i>
2RX0526	500/260	12	2x 27	2x 40	85	50	VARVEL 0.37	n°2	254
2RX0726	700/260		2x 39	2x 50					267
2RX1026	1000/260		2x 56	2x 60					287
2RX0732	700/320	12	2x 55	2x 70	85	95	SEW 0.37	n°2	282
2RX1032	1000/320		2x 81	2x 80					305
2RX0836	800/360	12	2x 79	2x 80	85	95	SEW 0.37	n°2	304
2RX1036	1000/360		2x 101	2x 100					318
2RX1236	1200/360		2x 122	2x 100					336
2RX0836-7	800/360-7	12	2x 111	2x 90	85	95	SEW 0.37	n°2	310
2RX1036-7	1000/360-7		2x 141	2x 110					324
2RX1236-7	1200/360-7		2x 171	2x 110					340
2RX1042	1000/420	12	2x 140	2x 140	85	120	SEW 0.55	n°3	354
2RX1242	1200/420		2x 170	2x 140					380
2RX1042-7	1000/420-7	12	2x 195	2x 150	85	120	SEW 0.55	n°3	370
2RX1242-7	1200/420-7		2x 237	2x 150					392

